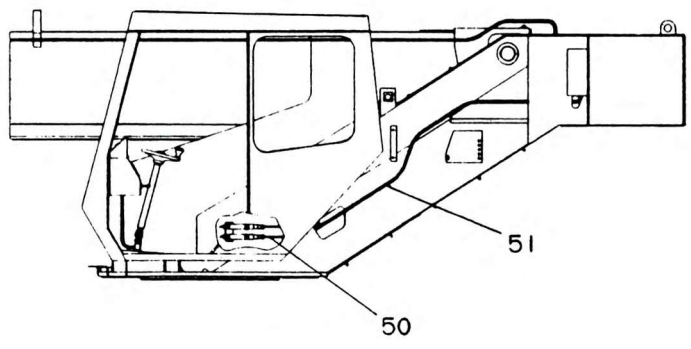
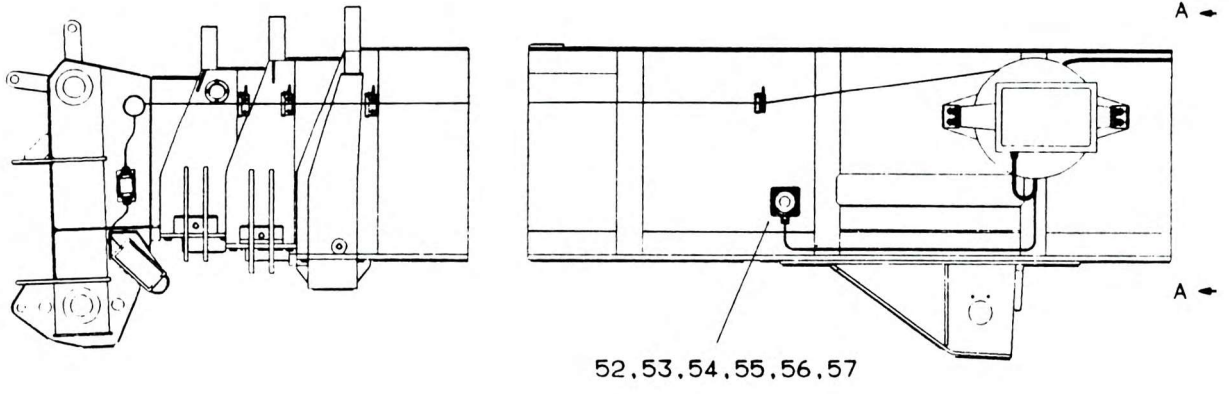


ELECT ASSY PAT



| NO. | PART NO. | QTY. | DESCRIPTION | NO. | PART NO. | QTY. | DESCRIPTION |
|-----|--------------|------|---|-----|----------|------|-------------|
| 50 | 8789468 | 2 | Cable 4 Core (Computer Unit to Transducers) | | | | |
| 51 | 8789469 | 2 | Cable 7 Core (Computer Unit to Console & Length/ Angle Sensor) | | | | |
| 52 | 7-025-990027 | 1 | Audible Alarm | | | | |
| 53 | 7067217 | 4 | Washer Spring M5 | | | | |
| 54 | 7066535 | 4 | Washer Plain M5 | | | | |
| 55 | 7045005 | 4 | Screw M5 x 16 Long | | | | |
| 56 | 8-977-222200 | 1 | Cable Twin Circ. | | | | |
| 57 | 150527 | 1 | Gland | | | | |